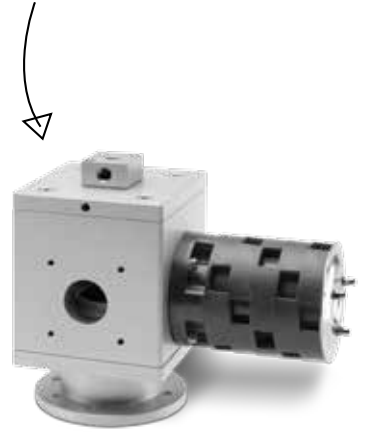


CS: Quick Exhaust

The Quick Exhaust (model CS) is a two-way valve used for on/off movement (trip or fail) to fully exhaust the connected chamber of the actuator. When this device is pilot operated and mounted on a modulating actuator it allows quick exhausting of the connected chamber, even when piloted by a small CV device.

Metal piston operated



Aluminium manifold mounting

Key features

- > Suitable for:
 - Standard, offshore, sandstorm or copper-free ambient conditions
 - Single and double acting actuators
 - Low and high ambient temperature
 - Internal actuator damper
 - SL exhaust protection system (from 1 to 3 max SL) depending on exhaust flow requirement

Benefits

- > Compact design
- > Metal piston operated (diaphragm free)
- > Big exhaust CV (up to 60)
- > Flange mounted on actuator cap

Technical specification

Housing materials

Anodized aluminium
Stainless steel 316

Operating temperature*

-20°C to 70°C
-40°C to 70°C available on request
-20°C to 85°C available on request

Pilot signal connection

1/4" NPT

Actuator connections

Dedicated flange

Operating pressure

P min = 2,5 bar
P max = 7 bar
Design pressure = 10 bar

CV max

Outlet = 60

Exhaust connections

Dedicated to SL

Weight

Aluminium = 5kg
Stainless steel 316 = 12.5kg

* Lower or higher temperature available on request



Stainless steel 316 manifold mounting

Dimensional drawing

