

GR: Manual Override

The Manual Override (model GR) is designed to manually move the actuator stem using a handwheel. The internal gear is mounted on ball bearings for high efficiency and for long operating life. All STI actuators may be equipped with a manual override to allow operation of the control element when instrument air is not available and the actuator has to be operated manually. Several sizes are available according to the actuator required. For STI actuators series SCV the gear box is mounted between the actuator and the yoke, for the SC series it is mounted on the actuator stem cap side. The manual override can be used as an adjustable retraction stroke limiter. A specific version can be direct mounted to operate a valve where no actuator is installed.

Key features

- > Suitable for:
 - Standard, offshore, sandstorm and copper-free ambient conditions
 - Single and double acting actuators
 - Low and high ambient temperature

Benefits

- > Internal gear mounted on ball bearings to minimize operator effort and long operation life
- > Available with sandstorm design with stem and main screw bellows
- > Available to lock movement in any position to keep valve in any required position
- > Available with adjustable thrust limiter
- > Available with mechanical chain transmission of the manual override for remote operator access

Technical specifications

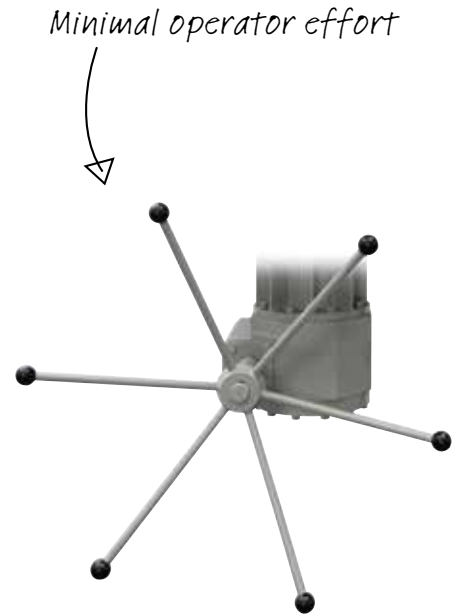
Housing materials

GR 1 = Painted aluminium
 GR 2 = Painted aluminium
 GR 2.5 = Painted cast iron
 GR 3 = Painted carbon steel

Operating temperature*

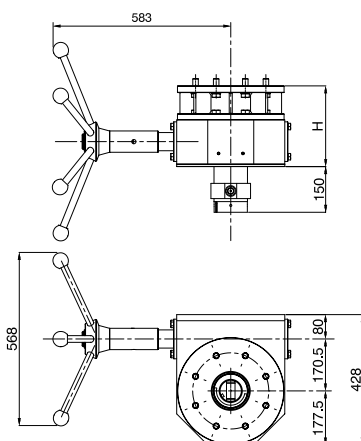
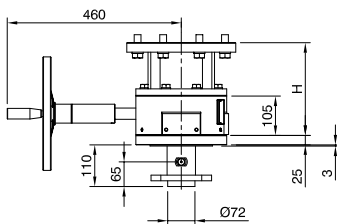
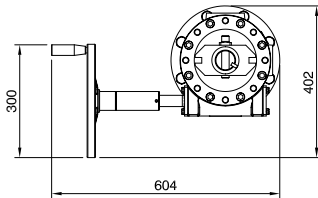
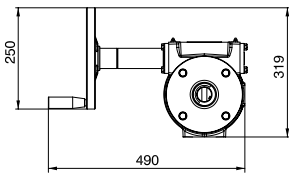
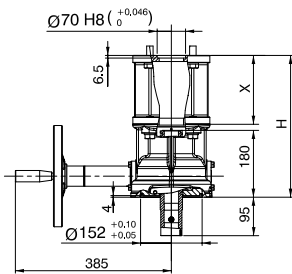
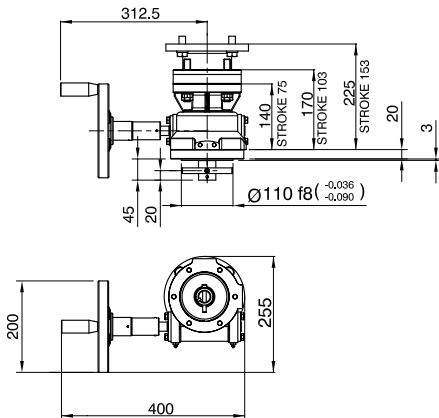
-20°C to 70°C
 -40°C to 70°C available on request
 -20°C to 85°C available on request

* Lower or higher temperature available on request



Optional adjustable thrust limiter

Dimensional drawing



GR 1	Stroke	Weight (kg)	H (mm)	X (mm)
GR_153	153.0	22	225	-
GR_103	103.0	17	170	-
GR_75	75.0	14	140	-

GR 2	Stroke	Weight (kg)	H (mm)	X (mm)
GR_605	605	57	690	520
GR_555	555	55	640	470
GR_505	505	53	590	420
GR_455	455	51	540	370
GR_405	405	49	490	320
GR_355	355	47	440	270
GR_305	305	45	390	220
GR_255	255	43	340	170
GR_205	205	40	300	-
GR_153	153	38	247	-
GR_103	103	32	180	-

GR 2.5	Stroke	Weight (kg)	H (mm)	X (mm)
GR_103	103	71	245	-
GR_153	153	75	295	-
GR_205	205	78	347	-
GR_255	255	82	397	-
GR_305	305	85	447	-
GR_355	355	88	497	-
GR_405	405	91	547	-
GR_455	455	94	597	-
GR_505	505	97	647	-
GR_555	555	100	697	-
GR_605	605	103	747	-
GR_655	655	106	797	-

GR 3	Stroke	Weight (kg)	H (mm)	X (mm)
GR_505	505	240	667	-
GR_455	455	226	617	-
GR_405	405	230	567	-
GR_355	355	225	517	-
GR_305	305	220	467	-
GR_255	255	215	417	-
GR_205	205	209	367	-
GR_153	153	204	315	-
GR_103	103	199	265	-