

# TP: Pneumatic Pressure Switch

The Pneumatic Pressure Switch (model TP) device has been designed to drive lock-up devices to the safety shut down position in the event supply air pressure falls below the operating safety value. The switching value is easily adjustable and the device allows maintainers to set the switching pressure required to activate the switch in the safety/shut down function. The switching device operates immediately, even in the case of a gradual air-pressure decrease to the set value. The device will automatically reset after a failure, when the line pressure is 1 bar greater than set pressure to avoid instability around the device set point.

*Insensitive to vibrations*



Aluminium  
with square plate

## Key features

- > Suitable for:
  - Standard, offshore, sandstorm and copper-free ambient conditions
  - Single and double acting actuators
  - Low and high ambient temperature

## Benefits

- > Accurate pressure setting
- > Set screw lockable with nut
- > Insensitive to vibrations
- > Small dimensions and light weight allows mounting on lock-up 3 way valve
- > Reset hysteresis with established safety

## Technical specifications

### Housing materials

Anodized aluminum  
Stainless steel 316

### Operating temperature\*

-20°C / +70°C  
-40°C / +70°C available on request  
-20°C / +85°C available on request

### Pilot signal connection

1/8" NPT

### Operating pressure

P min = 2 bar  
P max = 7 bar  
Design pressure = 10 bar

### Output connections

Fig 1: 1/8" NPT  
Fig 2: 1/8" NPT / 1/4" NPT

### Weight

Aluminum = 0.4 kg  
Stainless steel 316 = 0.8 kg

\* Lower or higher temperature available on request



Stainless Steel 316  
with threaded connection

## Dimensional drawing

Fig. 1

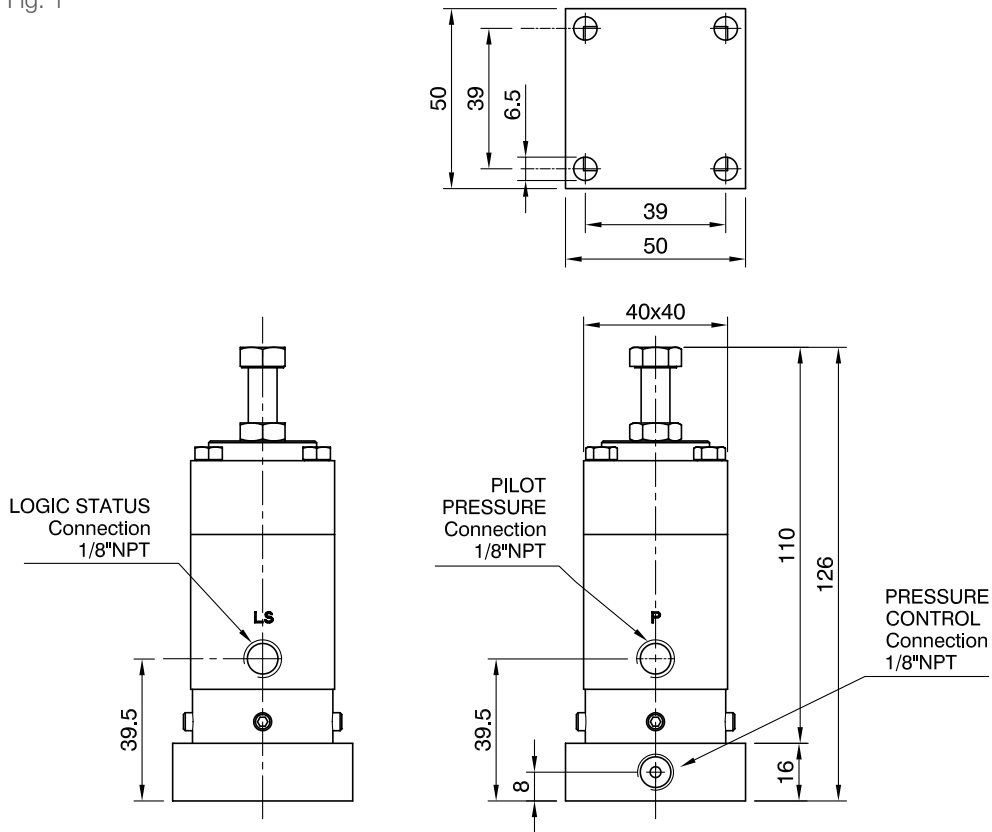


Fig. 2

